

APPROVED	O G. FIG.
BY	CLASS/SUBCLASS
DRAFTSMAN	

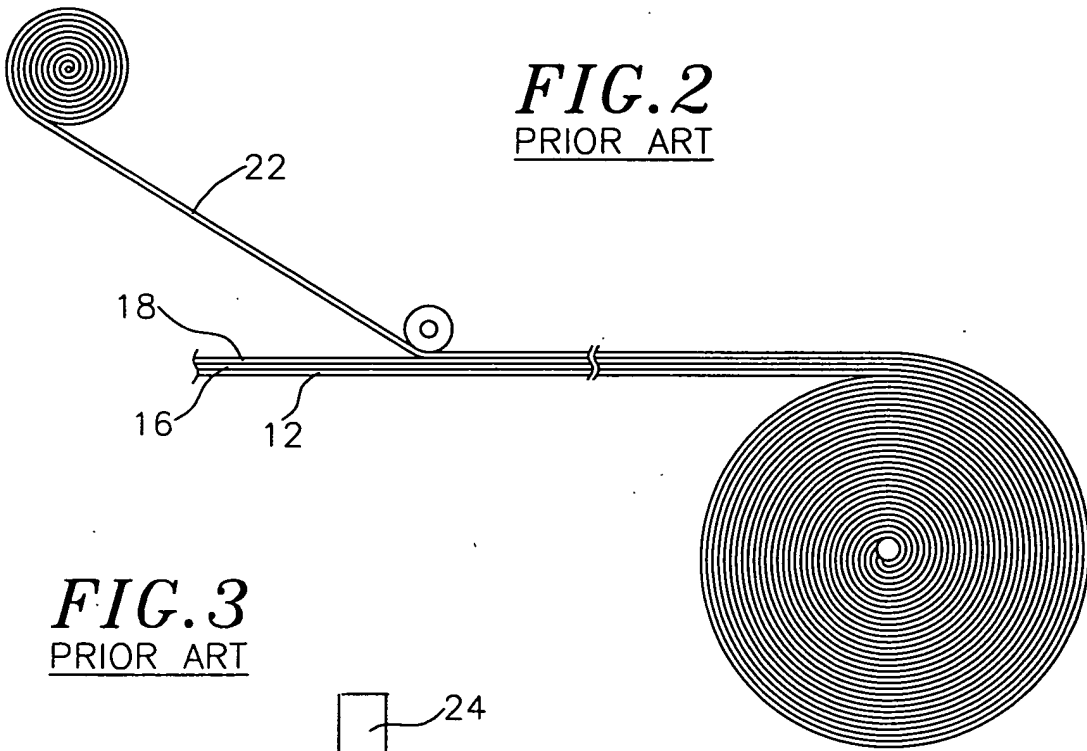


FIG. 2
PRIOR ART

FIG. 3
PRIOR ART

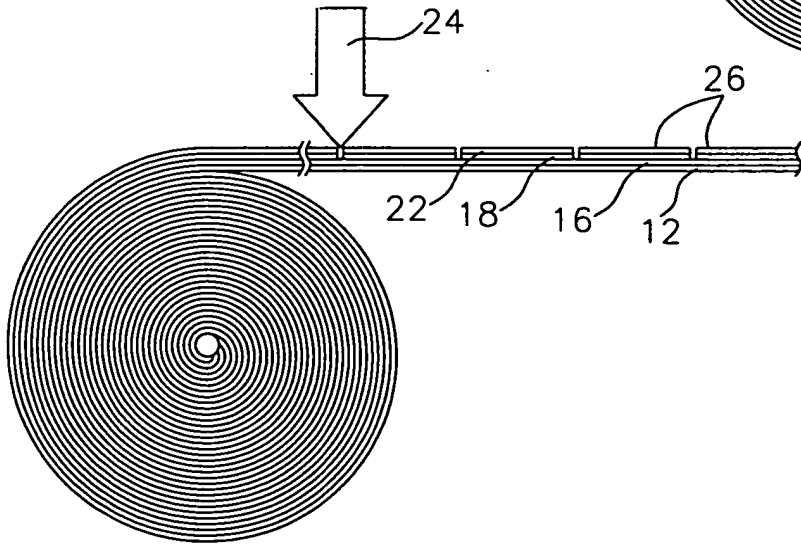
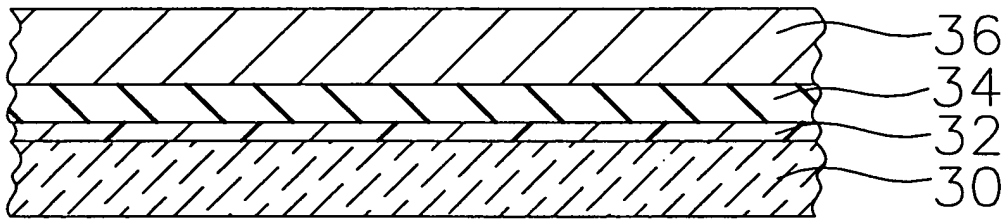


FIG. 2 PRIOR ART

APPROVED	O. G. FIG.	
BY	CLASS	SUBCL.
DRAFTSMAN		

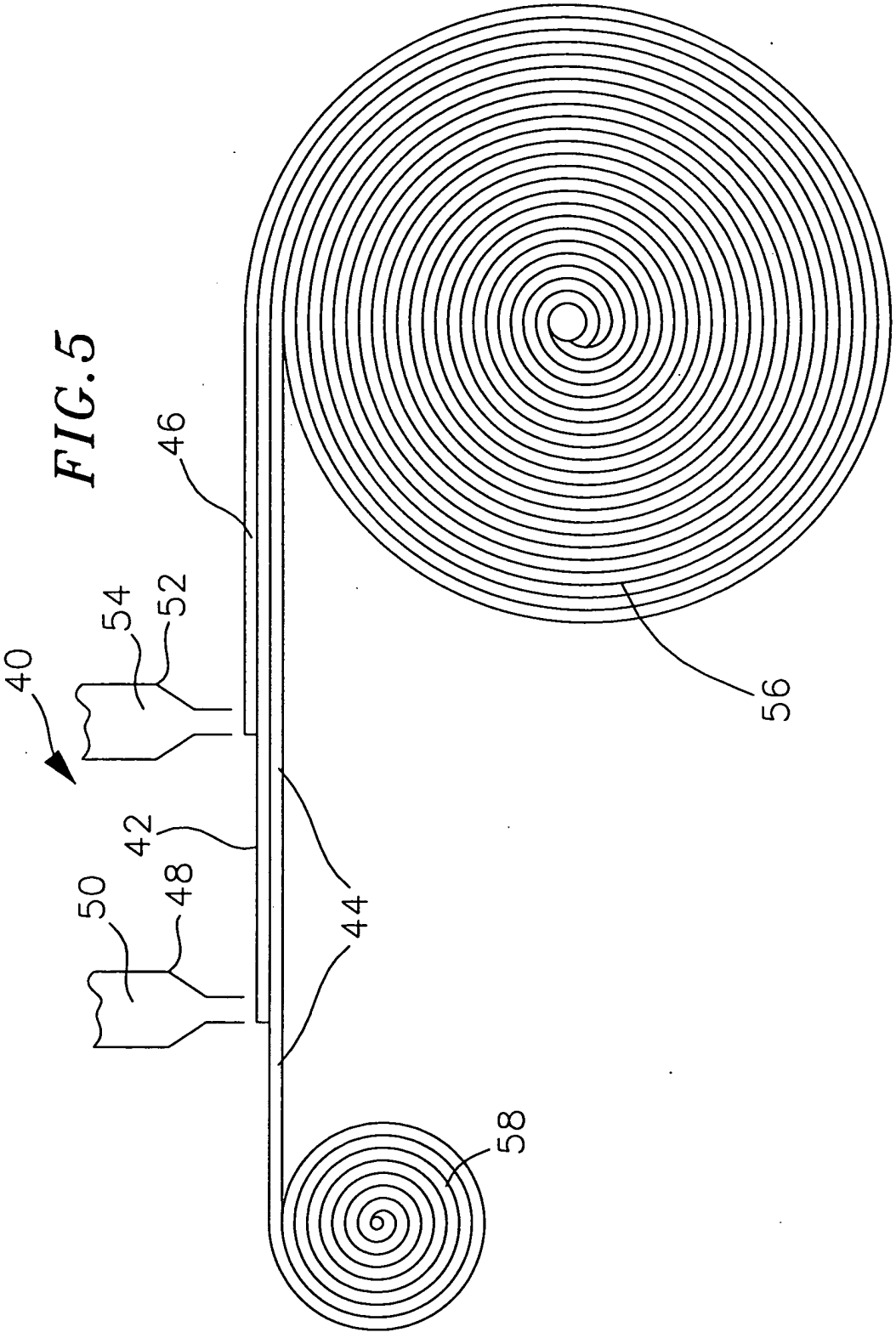
FIG. 4



U.S. PATENT OFFICE

APPROVED	O.G. FIG.	
BY	CLASS	SUBCLASS
DRAFTSMAN		

U.S. PATENT OFFICE
 PHOTODUPLICATION SERVICE
 700 GAITHERSBURG ROAD
 GAITHERSBURG, MARYLAND 20878
 (301) 491-3447



APPROVED	O.G. FIG.
BY	CLASSIFIED
DRAFTSMAN	

"TUBO" SEED

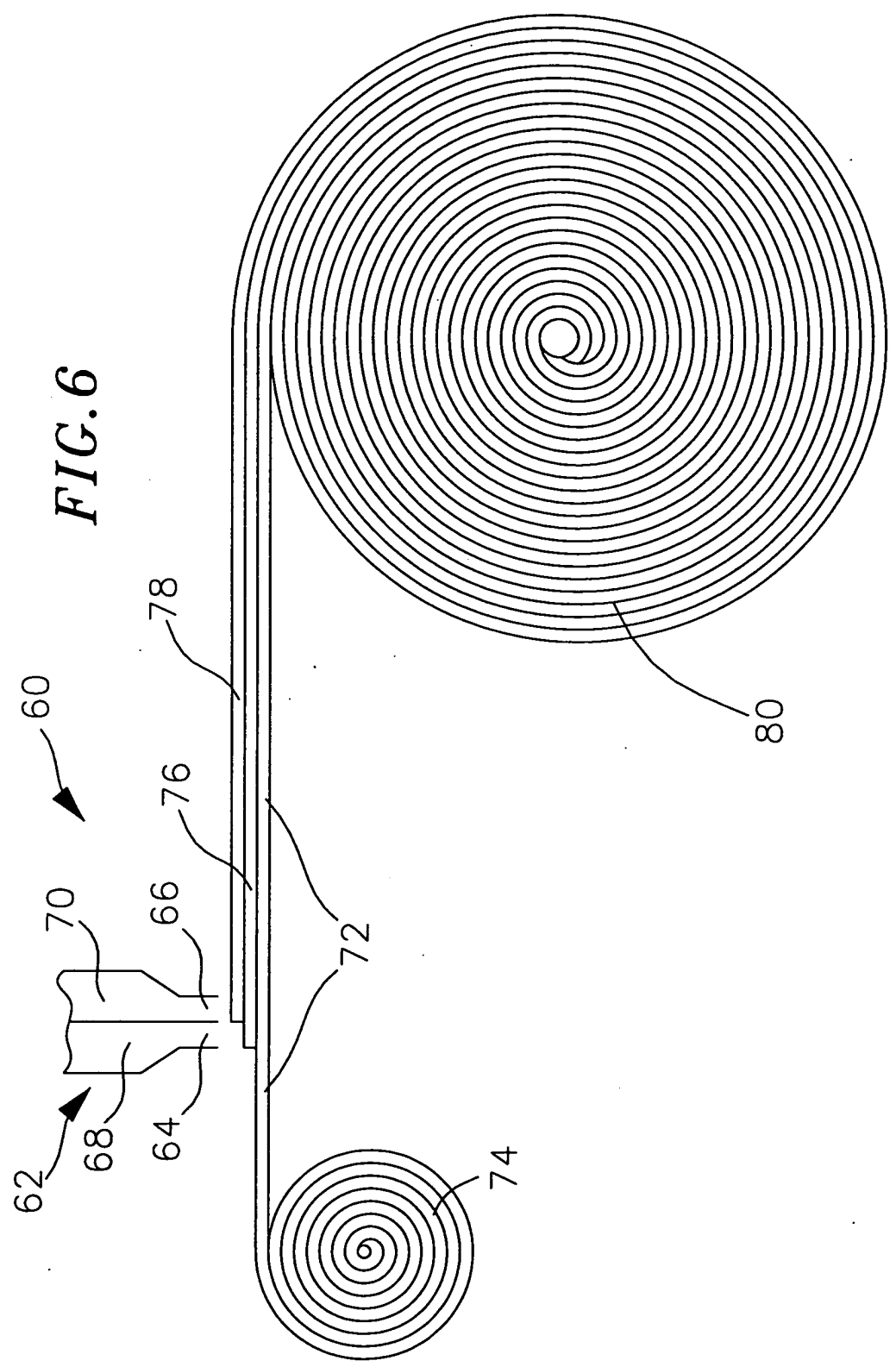
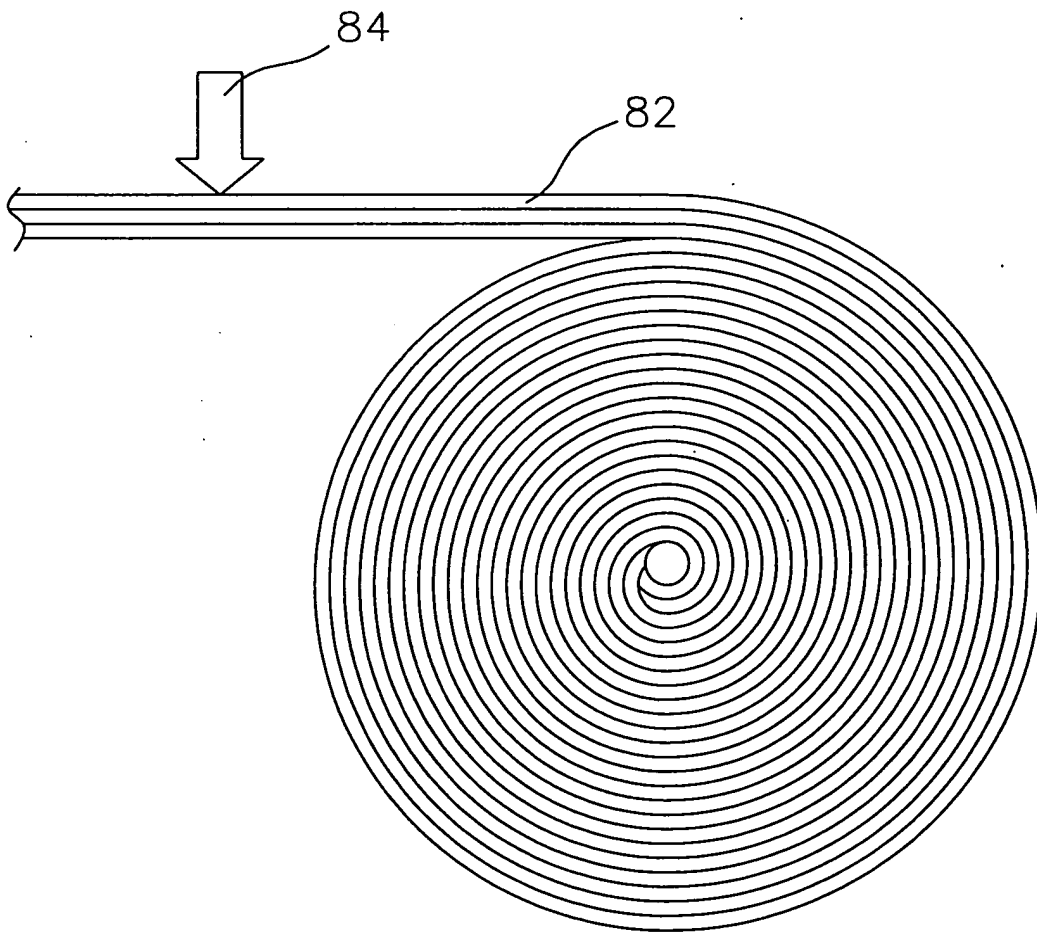


FIG. 6

APPROVED	O.G. FIG.	
BY	CLASS	SUBCLAS
DRAFTSMAN		

FIG. 7



Vertical text on the left margin, likely a reference or identification number.



FIG. 8

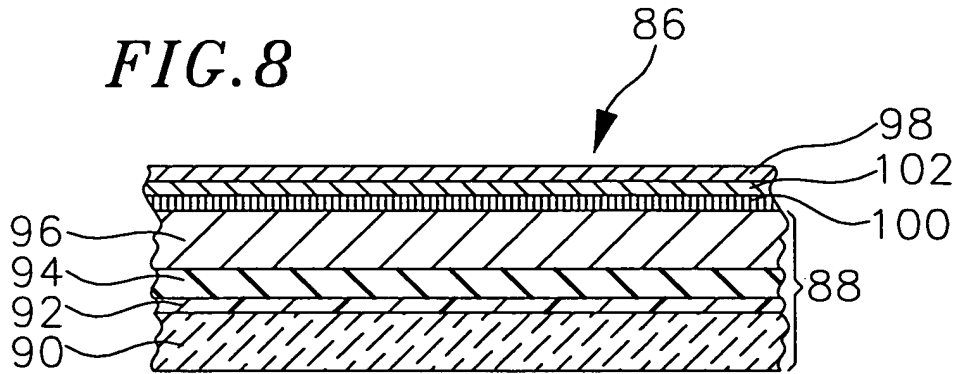


FIG. 9

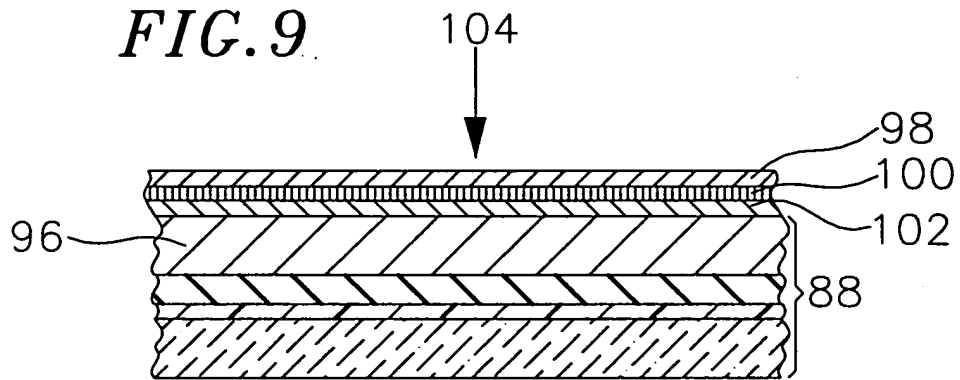


FIG. 10

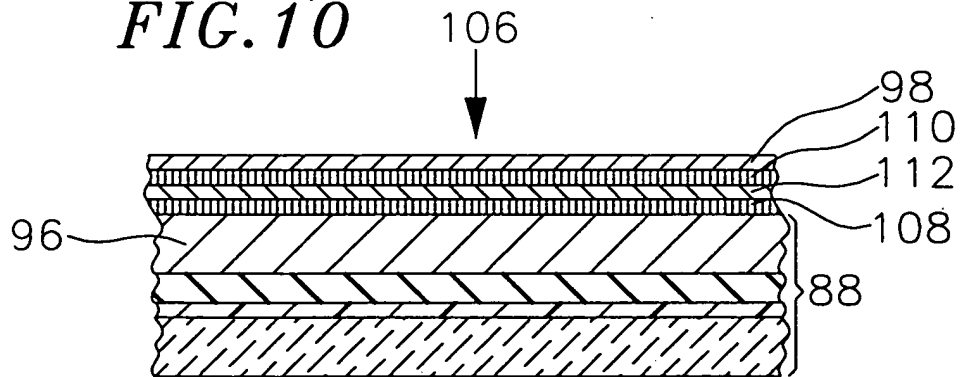
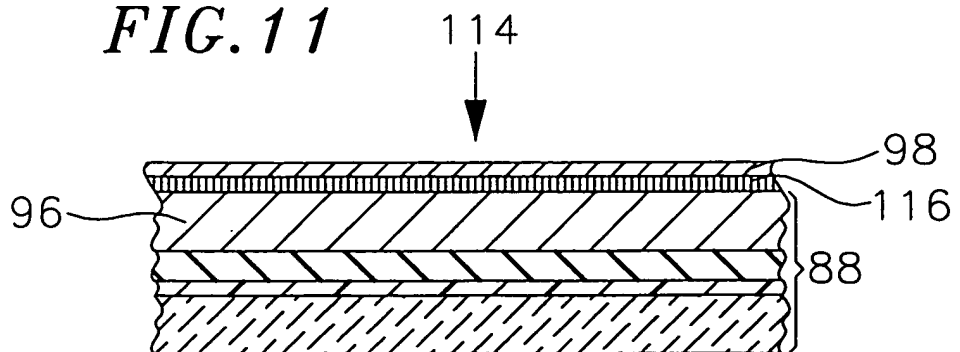
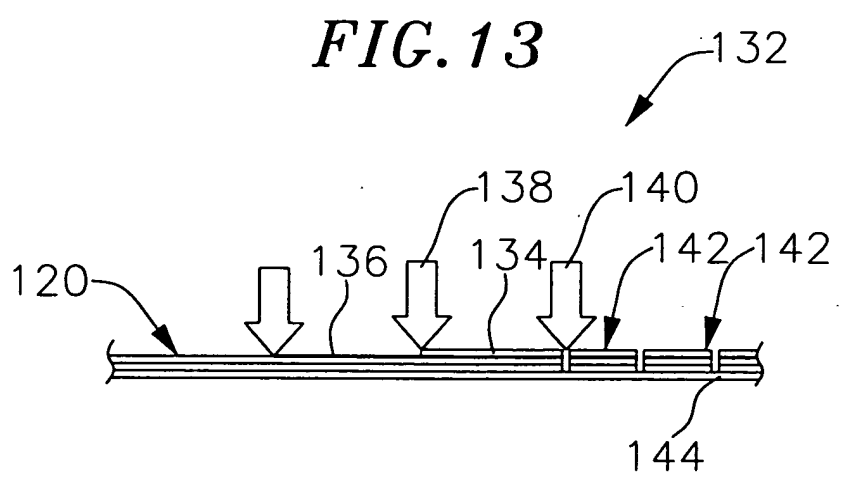
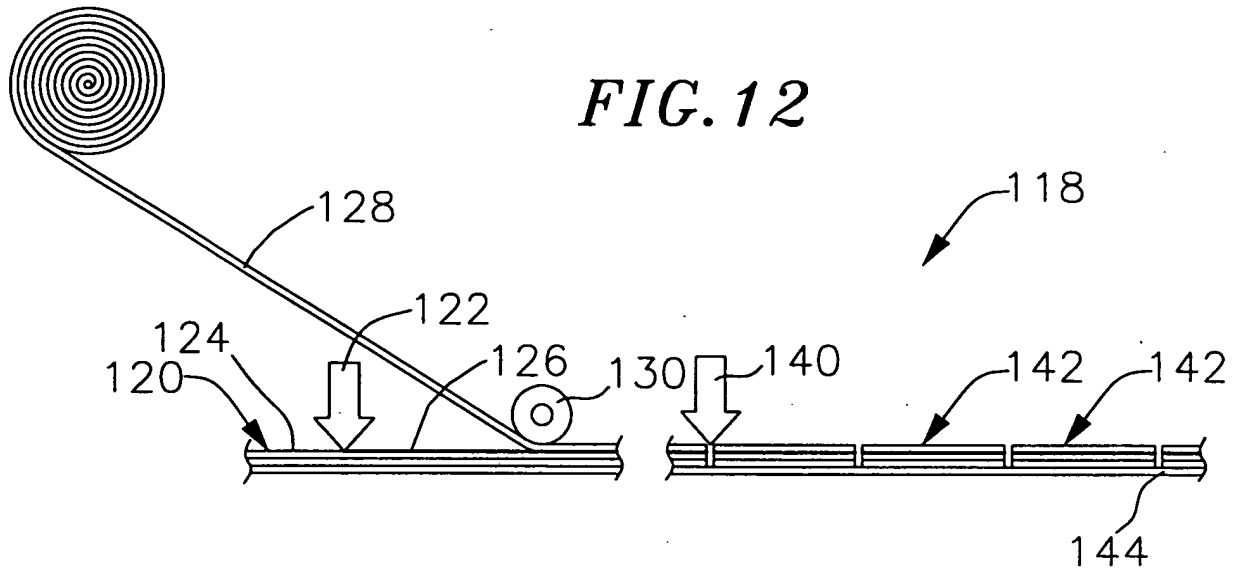


FIG. 11



COPYRIGHT © 1988 BY THE UNIVERSITY OF MICHIGAN



This drawing is not to scale and is intended to illustrate the general principles of the invention.